



Turf Pros' #1 Top Dresser

Since 1994

Operator's Manual

www.ecolawnapplicator.com

Model Eco 75

PTO Drive

Broadcast Top Dresser



THANK YOU for purchasing an Ecolawn Top Dresser. Your new machine has been carefully designed and manufactured to provide years of reliable and productive service. This manual will provide you with safety instructions and general maintenance tips that will help to keep your machine in top running order. Please read this manual and assembly part/list carefully before assembling, operating, or servicing your equipment.

Here are 5 Ecolawn Basic Rules of Operations:

1. Use quality screened material or compost;
2. Use appropriate load size and weight;
3. Load hopper gently, prevent loading compaction;
4. Think and plan application pass before attempting the field especially on slopes;
5. Run the spreader empty first as a test A good application is preparing ahead of time Make small adjustments in the field and eliminate major repairs.

Please visit our website or call with any questions.

Website: www.ecolawnapplicator.com

Tel: 1-866-326-5296

A good application is preparing ahead of time!

TABLE OF CONTENTS

WARRANTY	4
SAFETY INSTRUCTIONS	5
1. GENERAL	
2. GUARDS	
3. HOPPER	
4. DECALS	
OPERATING INSTRUCTIONS	6
1. PROPER TOPDRESSING	
2. OPTIMAL OPERATION	
3. MAIN USES	
USING THE ECOLAWN FOR THE FIRST TIME	7
OPERATING THE ECOLAWN APPLICATOR	8
CHOOSING AN APPROPRIATE SUBSTANCE	10
1. QUALITY AND CHARACTERISTICS	
2. FRIABILITY	
3. MOISTURE CONTENT	
TROUBLESHOOTING AND ADJUSTMENTS	11
GENERAL MAINTANCE	12
1. SHAFT BEARING	
2. V-BELTS	
SAND DEFLECTOR	13
ASSEMBLY STEPS	14



Ecolawn Applicator® One Year Limited Warranty

Terms: Ecolawn Applicators are guaranteed to be free of defects in materials or workmanship for one year from the registered purchase date. To qualify, the applicator must be registered online at www.ecolawnapplicator.com (under the product tab). This one-year warranty is extended only to the original, registered purchaser of the Ecolawn Applicator.

Starting from the registered purchase date, Ecolawn will replace, free of charge, any part(s) on the machine (excluding the engine*) that Ecolawn or an approved agent deems to be defective in material and/or workmanship upon examination.



Safety Instructions

This manual describes the operation of the ECO 75 Ecolawn Applicator spreader only.

1. General

- Never allow children to operate power equipment.
- Do not use the Ecolawn Applicator on any grade above 10-15 degrees.
- Do not modify the Ecolawn Applicator. Any alterations to the machine will void the warranty.
- Use the Ecolawn Applicator ONLY for its intended purpose.
- Keep hands and objects out of the hopper and away from the agitator/mixer while the motor is running.
- Use only original Ecolawn parts to repair the Ecolawn Applicator.

2. Guards

Do not run the engine or operate the machine when any of the guards have been removed. This may result in severe injury and/or damage to the unit.

3. Hopper

The hopper's maximum load is 440 lb (200 kg). Never exceed the maximum load capacity; this may damage the spreader.

4. Decals

Replacement safety decals are available at no cost from Ecolawn.



Operating Instructions

1. Proper Topdressing

When topdressing, follow the same pattern you would use when mowing. Start with the sections of lawn that are farthest away from the supply source to avoid repeated traffic over the areas that have been topdressed.

Types of Spreading Materials:

- Screened compost
- Granular and pelletized products
- Sand
- Soil
- Crumb rubber
- Soil amendments
- Custom blends

2. Optimal Operation

Never exceed the maximum load capacity of the hopper (440 lb/200 kg). Some substrates (such as sand or soil) are much denser than others, so it is not possible to judge load size visually. The same volume of sand or soil can weigh significantly more than compost. Overloading the hopper may damage the spreader.

Comparative: Materials and Weights

Material Volume Weight

Compost (60% humidity) 10 cubic feet 300 lbs

Mix Blend: 50% compost, 50% sand 10 cubic feet 550 lbs

Sand 10 cubic feet 800 lbs

3. Main Uses

The Eco 75 Broadcast Top Dresser is designed for compost topdressing, sand topdressing, lawn restoration and renovation, soil amending, and top seeding. To learn more about topdressing, please visit our website at www.ecolawnapplicator.com.



Using the Ecolawn Applicator for the First Time

Before using the spreader for the first time, visually check the spreader which has been pre-adjusted for immediate use, some minor adjustments may be necessary. We recommend the following startup procedure to ensure that the machine is properly adjusted before use.

Step 1. The spreader's belts are new, so they may not adhere perfectly to the pulleys; they may slip when the machine is started for the first time until they are properly seated. Before loading the spreader with substrate, let it run empty for about 10 minutes to allow the belts to become seated properly on the pulleys.

Step 2. Fill the hopper to 1/3 capacity (see Page 8, Step 1), then run the spreader until empty and refill to this level for the first 3 or 4 loads.

Step 3. Fill the hopper to its maximum capacity (440 lb/200 kg) and begin using the spreader normally.

Step 4. After one hour of use, visually inspect the spreader. Vibrations combined with a heavy load may cause the nuts and bolts to loosen. Tighten these if necessary.

Step 5. After 8 hours of use, inspect the nuts and bolts again and tighten if necessary.

If some pulleys do not run correctly after these trials, please refer to Ecolawn Application: Troubleshooting and Adjustments (pgs 11-14).

Operating the Ecolawn Applicator

Step 1. Filling the Hopper

To fill the hopper, first ensure that the Feed Trap (Figure 1) is properly closed by pulling up on the Feed Trap Lever (Figure 2).

Fill the hopper with the substrate to be spread. Note: Never exceed the hopper's maximum load capacity (440 lbs/200 kg); this can damage the machine.

Figure 1

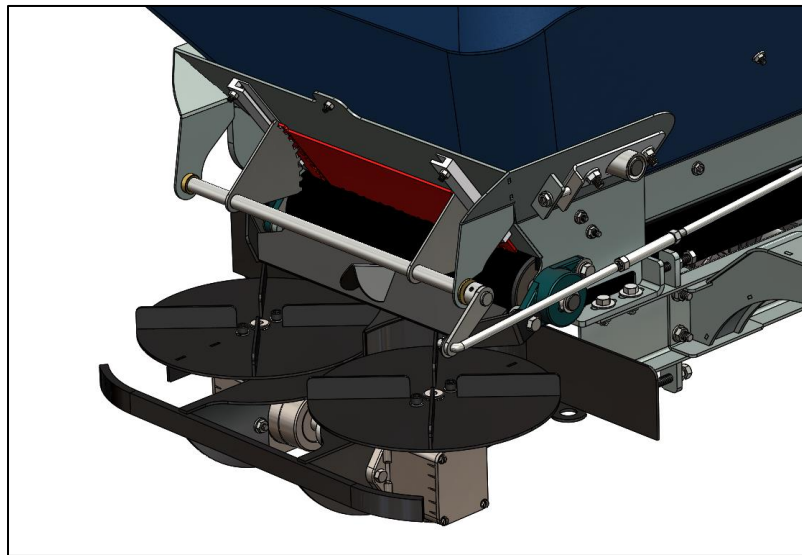
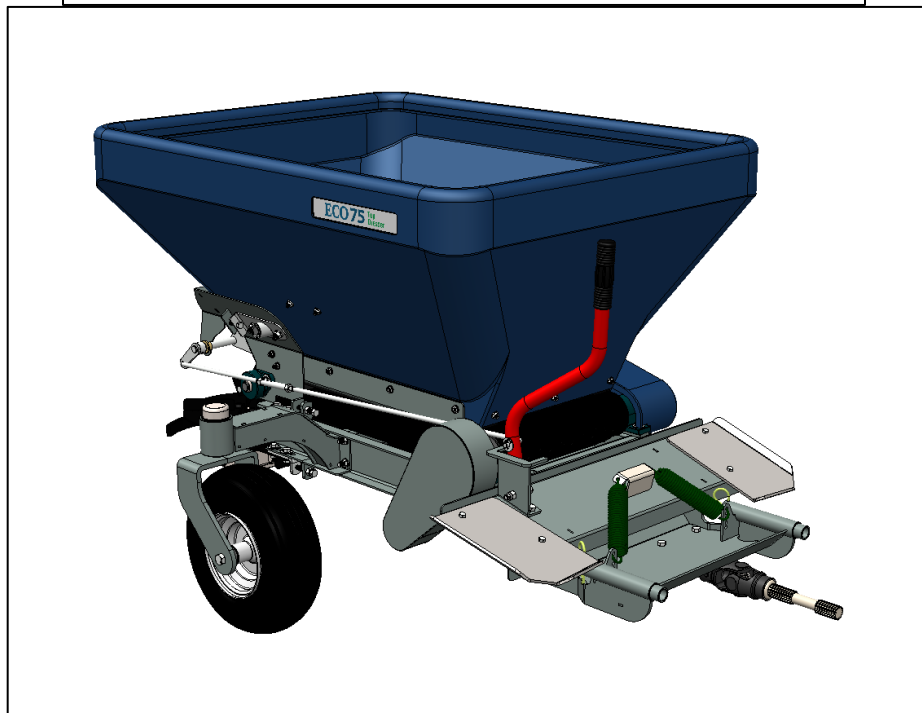


Figure 2



Step 2. Starting the Engine

Before starting the machine, make sure the conveyor system is not engaged. Be sure that the PTO is disengaged and the Feed Trap is properly closed.

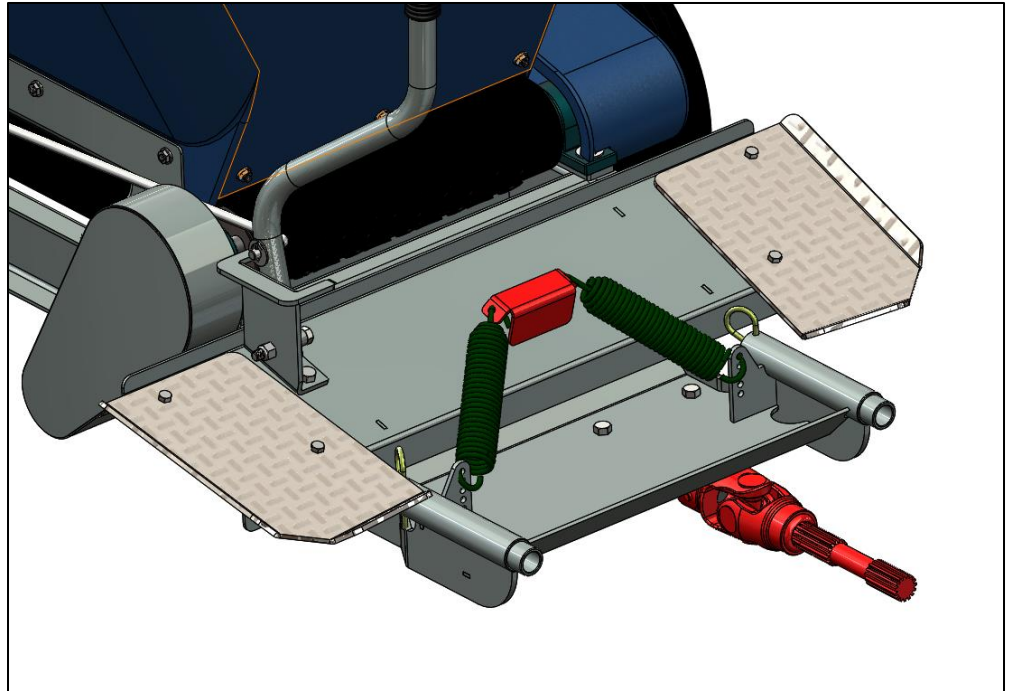
Figure 3

Step 3: Topdressing with a Substrate

In order to spread the substrate, you must open the Feed Trap to desired height. (Figure 2). Pull the PTO lever to engage the

Conveyor belt. Move the tractor forward and spread the substrate.

Note: The machines RPM speed determines the width over which the substrate is spread. The height at which the feed trap is open determines the thickness at which the substrate is spread.



Step 4. Stopping the Spreader

When the hopper is empty, disengage the PTO drive to stop the conveyor belt. Close the feeding trap with the Feeding Trap Lever. If filling the hopper again, drive to the substrate source and then refill the hopper.



Choosing an Appropriate Substrate

1. Quality and Characteristics

It is very important to choose a high-quality topdressing substrate. For greatest cost efficiency, Ecolawn recommends using a bulk substrate which is friable, has a moisture content lower than 65%, and contains no inorganic matter (plastic, glass, or concrete, etc.) or raw organic matter (such as pieces of wood, raw manure).

2. Friability

A friable material is one that crumbles easily into small fragments. A substrate that is not very friable appears to be composed of numerous, compact pieces which do not readily break down. Screening a substrate makes it much more friable. Additionally, a substrate containing 10% sand is more friable and will flow more smoothly and efficiently through the applicator.

3. Moisture Content

A substrate with a moisture content greater than 65% will tend to stick to the inside walls of the hopper and other parts of the spreader. When working with a substrate with a high moisture content, coat the insides of the hopper, as well as the spreading disk, with a graphite-based lubricant. Consult the SLIP Plate Lubricant website at www.slipplate.com for more information.

To help the substrate flow freely from the hopper, stop the machine and loosen with shovel. This will loosen the substrate so that it can flow freely from the hopper.



Troubleshooting and Adjustments

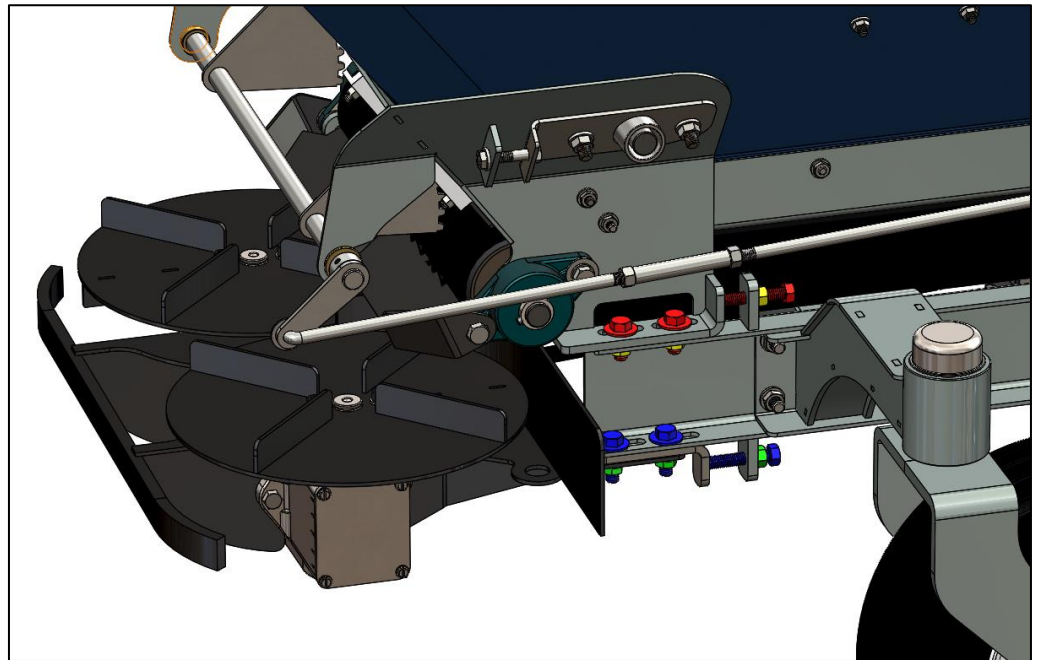
Important: Be sure the machine is turned off before performing any adjustments or maintenance on the spreader attachment.

The most frequently encountered problems involve the conveyor, but these can be easily resolved with a few simple solutions. Check the following symptoms for your particular problem, and make the corresponding adjustments as needed.

General Maintenance

1. Shaft Bearings

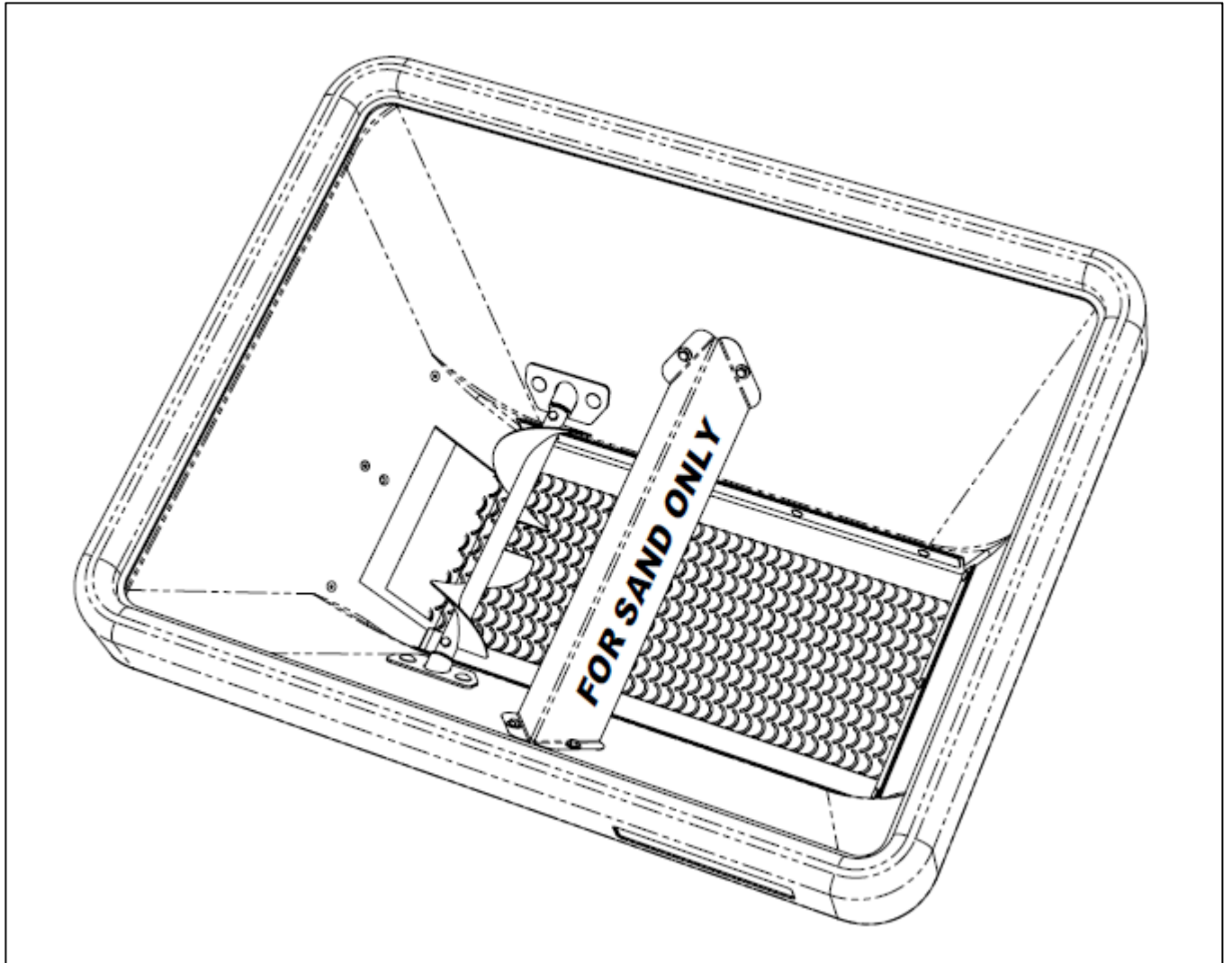
Grease the two crankshaft ball bearings after every 50 hours of operation.



2. V-belts

The proper belt tension is tight enough that the belts will not slip during operation. Occasionally, belt tension must be readjusted. Do not over-adjust the tension, as this may damage other parts.

Sand Deflector



Assembly Steps

